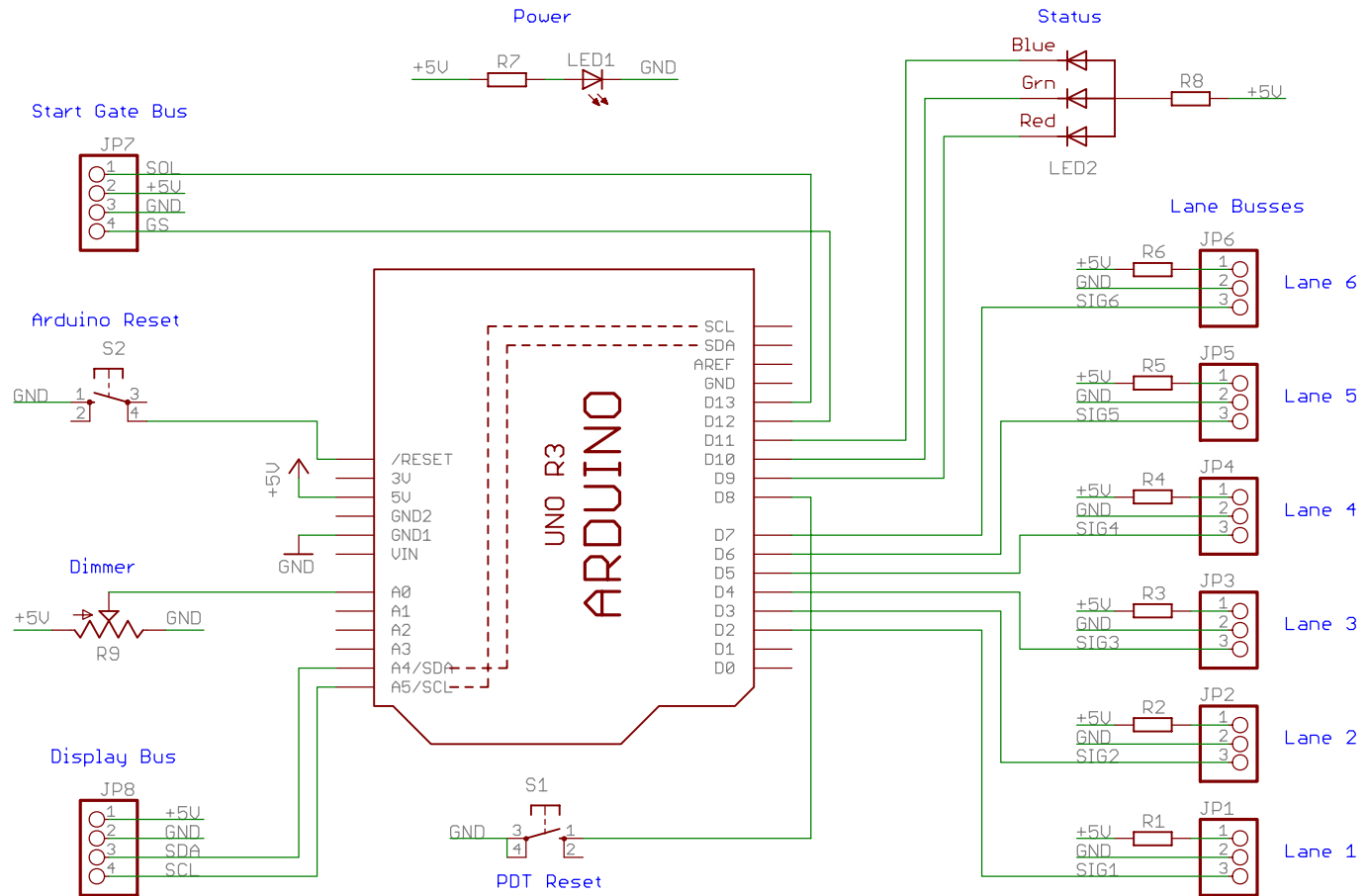


Copyright © 2011-2016 David Gadberry

This work is licensed under the Creative Commons Attribution-NonCommercial-ShareAlike 3.0 Unported License. To view a copy of this license, visit <http://creativecommons.org/licenses/by-nc-sa/3.0/> or send a letter to Creative Commons, 444 Castro Street, Suite 900, Mountain View, California, 94041, USA.

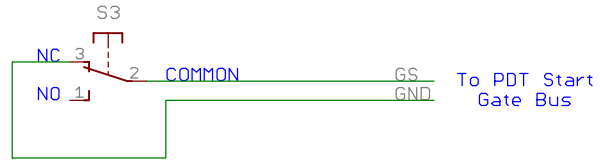
<http://www.miscjunk.org/pdt>

Pinewood Derby Timer (PDT)



Title: Pinewood Derby Timer (PDT)	
Note: www.miscjunk.org/pdt Copyright © 2011-2016 David Gadberry	Rev: 3
Date: 7 Apr 2016	Sheet: 1 / 3

Start Gate Circuit

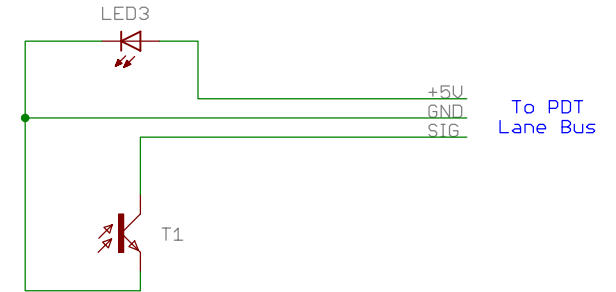


Notes:

- Refer to website regarding configuration of snap switch on the start gate.

Lane Circuit

Light source (above track)

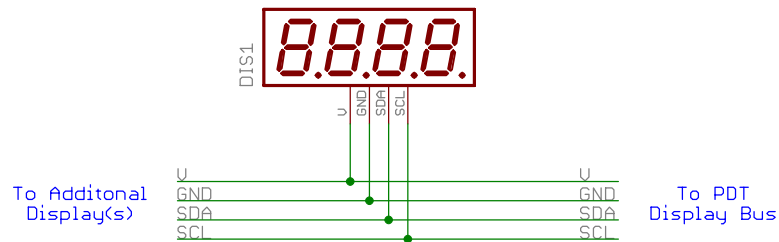


Detector (on/below track)

Notes:

- Repeat circuit for each lane.

Display Circuit



Notes:

- Place / time displays are optional.
- Refer to website regarding power requirements and options.

Title: Pinewood Derby Timer (PDT) Circuits

Note: www.miscjunk.org/pdt

Copyright © 2011-2016 David Gadberry

Rev:

3

Date: 8 Apr 2016

Sheet: 2 / 3